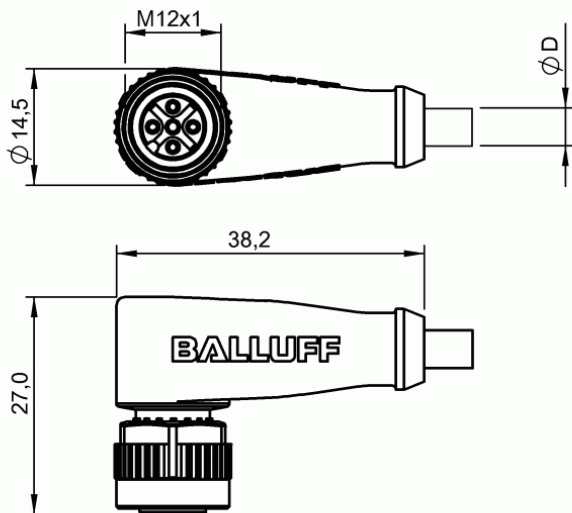


BCC M425-0000-1A-003-VX8434-020
 Connectors BCC
 Ordercode BCC036N



Electrical data:

Switching output	no
Switching function	Antivalent (NO/NC)
Operating voltage U_b max. AC	250.0 V

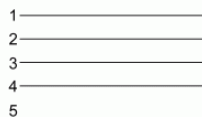
Mechanical data:

Number of conductors	4
Cable length	2,00 m
Head 1 - Head 2 Size	M12x1
Conductor cross-section	0.34 mm ²
Contact surface protection	Gold plated
Sealing ring material	Viton
Cable jacket material	PVC
Number of pins	4
Cable diameter D	4.8 +/- 0.15mm
Ambient temp. min. (fixed)	-40 °C
Ambient temp. max. (fixed)	105 °C
Ambient temp. min. (moving)	-5 °C
Ambient temp. max. (moving)	105 °C
Bending radius fixed cable	min. 15xD
Bending radius tensioned cable	min. 15xD
Contact material	CuZn
System	molded
Coupling nut material	Zinc die cast (GD-Zn)
Ambient temp. min.(drag chain)	-5 °C
Ambient temp. max.(drag chain)	60 °C

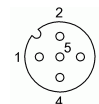
General data:

Enclosure Type per IEC 60529	IP68
Special version	no
Power indicator	no
Cable jacket color	gray
Function indicator (PIN 2)	no
Function indicator (PIN 4)	no

Wiring:



Pinout:



PIN 1: brown, PIN 2: white, PIN 3: blue, PIN 4: black